



HS3260 Series

Handheld Industrial Barcode Reader

HS3260 is an industrial wired handheld barcode scanner launched by brand "infoscan". Using megapixel sensor, efficient processors and well-designed lighting units. HS3260 series can instantly read printed barcodes, radium carved codes and common DPM barcodes, with IP65 protection grade design, vibrating prompt, 1.8m drop resistance, which fully meets harsh work environments.

Product Features

■ Excellent barcode reading performance

Megapixel CMOS sensor with excellent image and decoding algorithm, greatly improves reading fluency and reading depth of field. Meet various reading scenarios such as label bar code, radium carving bar code and dot matrix bar code, etc.

■ Universal communication interface

Supports USB Keyboard, USB Simulated Serial port and RS232 communication.

■ Diverse feedback prompts

Equipped with LED light prompt, buzzer sound prompt and vibration sensing prompt. Ensure timely and accurate code reading feedback in noisy environment.

■ Industrial grade design for demanding environments

Adopts IP65 protection grade design, which can withstand more than 30 times impact of 1.8m falling to cement ground. The product is strong and durable, which minimizes the failure occurrence frequency.

Industry Applications



Home Appliances
Manufacturing



Electronics
Manufacturing



Automobile
Manufacturing



Transportation



Food and Drug Traceability

Technical Parameters

Sensor Type	CMOS sensor
Image Resolution	1280 x 800
Motion Tolerance	100 cm/s
Viewing Angle	34° (Horizontal), 21.25° (Vertical)
Roll/ Pitch/ Yaw	360° (Roll) 65° (Pitch) 55° (Yaw)
Indicating Way	LED indicator, Buzzer indicator and Vibration indicator
Illumination Source	Body light source: 2 red LEDs Auxiliary light source: 4 red LEDs
Aiming Mode	Laser cross aiming
Communication Mode	RS232, USB (Simulated Serial port, Simulated keyboard)
Operating Voltage	5VDC±5%
Standby Current	140 mA
Operating Current	380 mA
Weight	261g (Cable excluded)

Dimensions (LxWxH)	199.0mm×77.0mm×94.0mm
Operating Temperature	-10 ~ 45 °C
Storage Temperature	-30 ~ 60 °C
Relative Humidity	5% ~ 95% Non-condensing
Drop Resistance	Withstanding multiple impacts of falling from a height of 1.8 meters onto the cement floor (Over 30 times)
IP Rating	IP65
ESD Protection	±20KV Air discharge, ±10KV Direct discharge
Ambient Light Immunity	0 ~ 10000 lux
Certifications	CE, RoHS
Readable Code Symbologies	1D, 2D and stacked codes that comply with national and international standards
Maximum Reading Accuracy	1D code: 3mil 2D code: 5mil

Reading Distance

Unit: (mm)

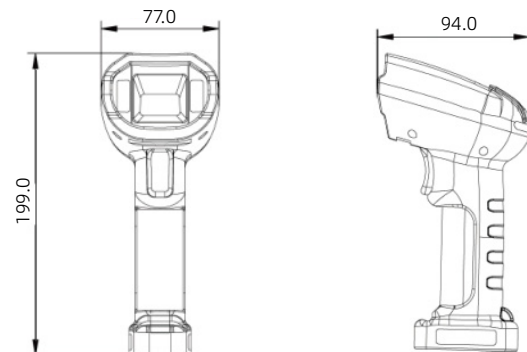
Reading Distance	Nearest	Farthest
3.34mil Code128	35	130
5mil Code128	23	165
10mil Code128	5	250
15mil Code128	10	345
5mil DataMatrix	45	85
6.67mil DataMatrix	35	130
10mil DataMatrix	25	180
15mil DataMatrix	20	220

Standard Models Configuration Table

Model	Description
HS3260-10-U-02A	Wired, handheld, red LED, USB set, cable of 2 meters
HS3260-10-R-02B	Wired, handheld, red LED, Serial port set, cable of 2 meters, 5V 2A Power supply

Dimensions

Unit: (mm)



Any change of the information in this document may not be with prior notice; even the content of this document has been carefully checked to ensure accuracy, there may still be some errors. The data involved in this document may differ due to environmental factors, Bilin Intelligence does not bear any consequences arising from this.



NANJING BILIN INTELLIGENT IDENTIFICATION TECHNOLOGY CO., LTD.

www.infoscan-cn.com

infoscan

ver: 20231115